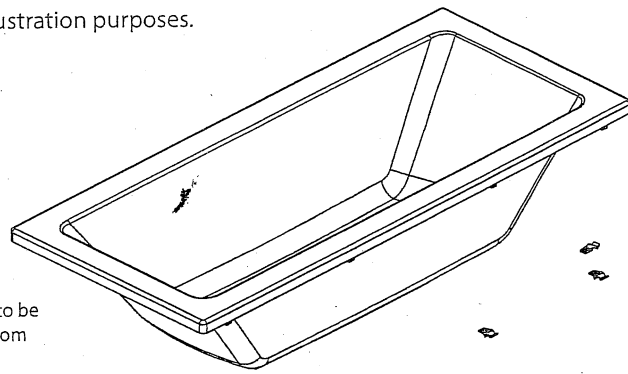
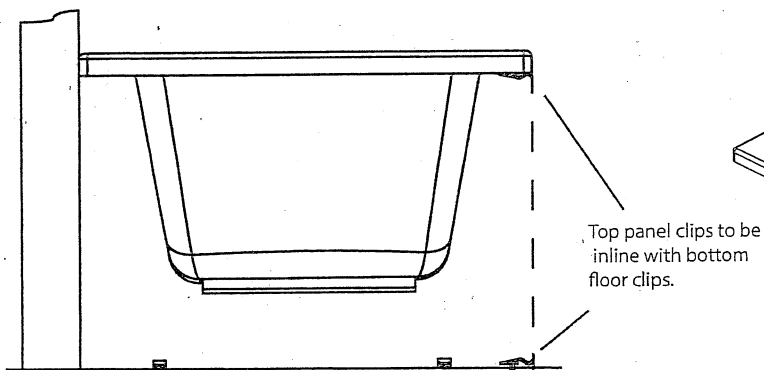


One Piece Bath Panel Installation Instruction.

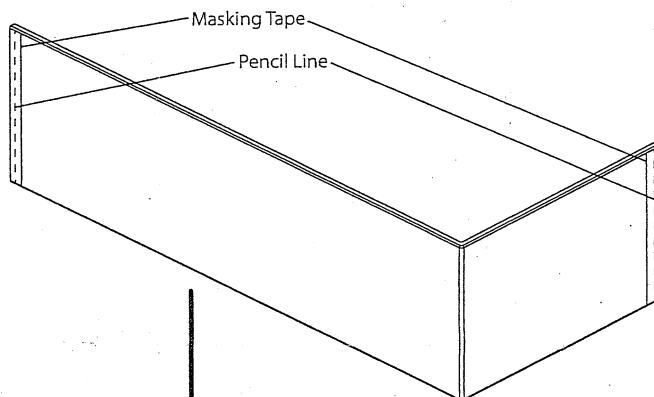
STEP 1 Please note bath shown without bath cradle or supports for illustration purposes.



Using a cross headed screwdriver secure the bath panel clips to floor and the underside of the bath using the screws provided. Ensure that the panel clips are equally spaced and are in line with each other top to bottom and that the clips are marginally proud of the bath rim.
 [Please note If the bath does not have a timber frame (such as on enamel baths) timber can be bonded to the underside using a suitable bonding agent]

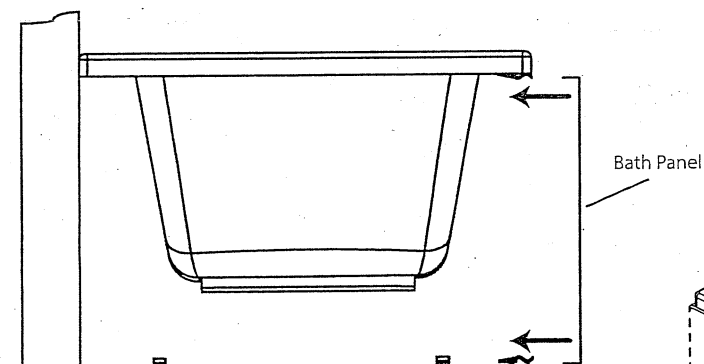
STEP 2

Using a tape measure carefully measure the bath to which the panel is to be fitted. Place some masking tape at both ends of the bath panel and using a pencil carefully mark out the correct sizes required to suit the bath. Using a fine toothed saw, cut the panel to the required sizes. You may wish to clean the cut edges with a fine wet and dry paper. (NOTE! before cutting check to ensure the sizes are correct)

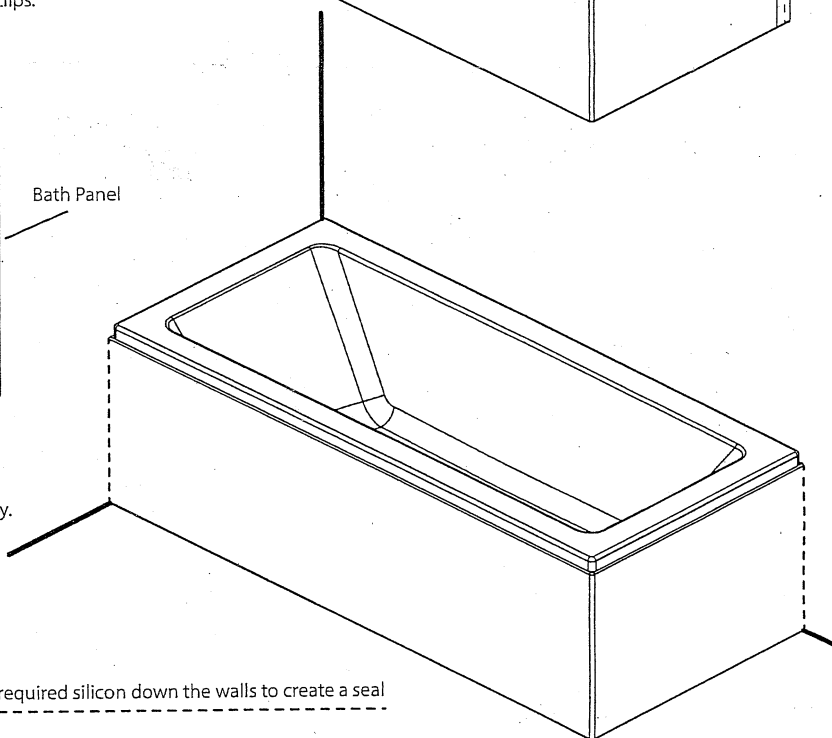


STEP 3

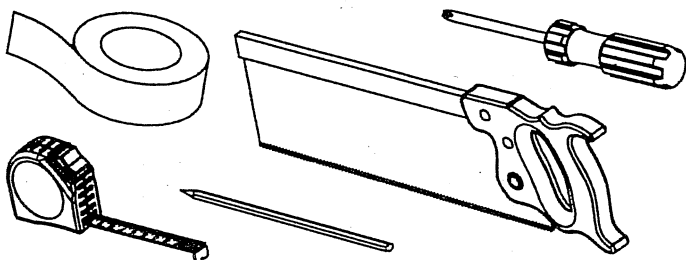
Carefully fit the bath panel to the bath by gently pushing the bath panel into place. Ensure that the bath panel is firmly held in place with the bath panel clips.



Please note to allow for future access the clips are designed to hold the panel not lock it into position. Additional timbers may be fitted to the walls behind the panel and Velcro strips used to further secure the panel neatly and professionally.



Tool Required. (Please note Tools shown are not supplied)



Fittings Supplied.

